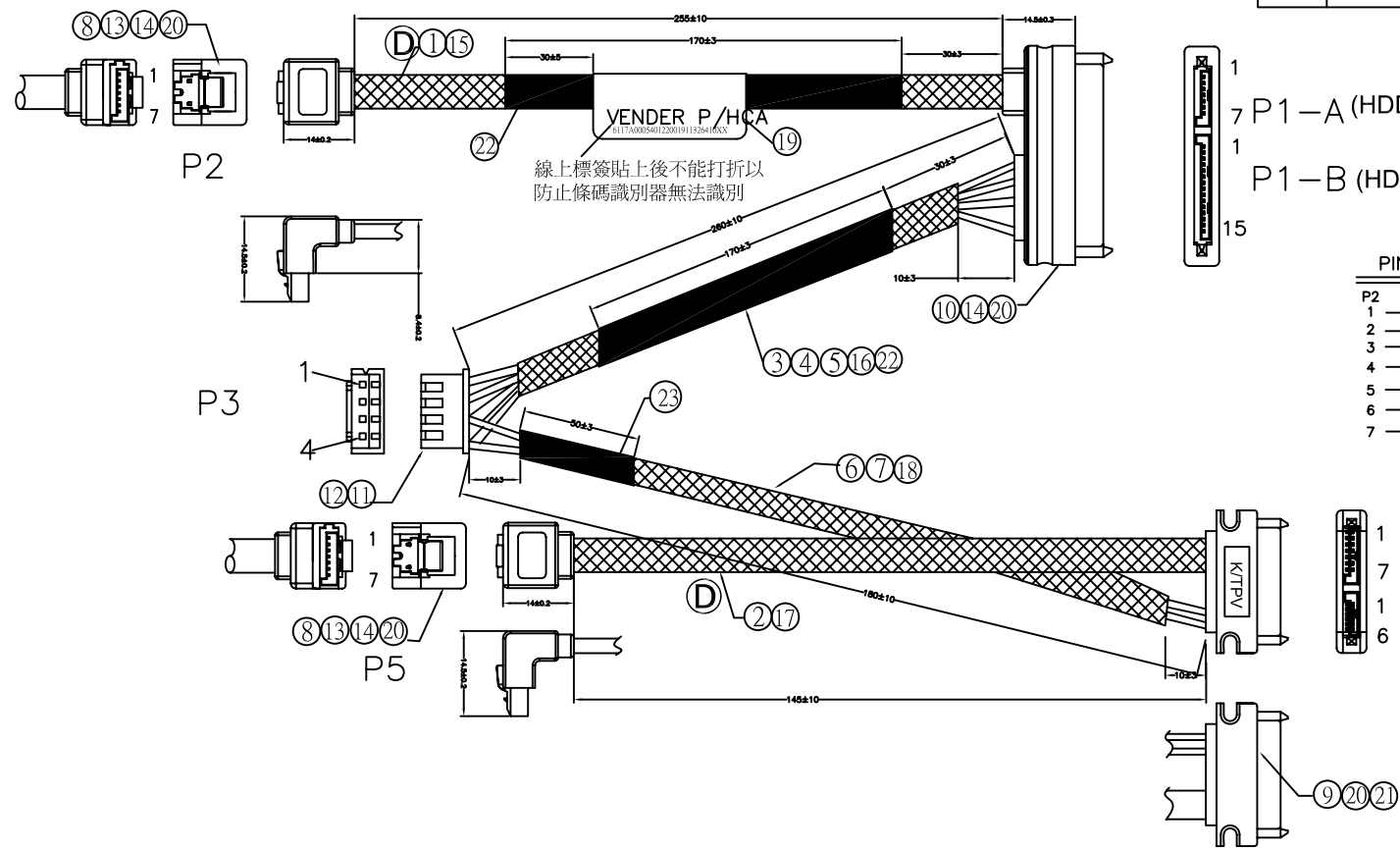
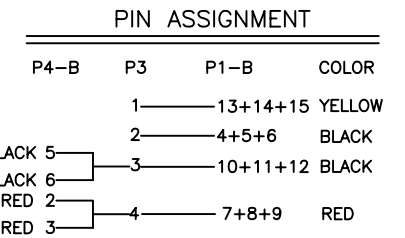
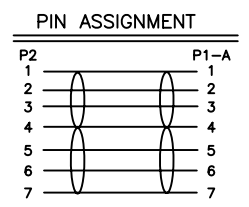


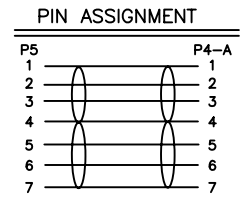
版次	ECN 编号	修改内容	日期	修改人



1
7 P1-A (HDD Cable)
1
15 P1-B (HDD Cable Power)



1
7 P4-A (ODD Cable)
1
6 P4-B (ODD Cable Power)



NOTES:
1. 線材上要包導電布, 導電布外層需按圖示尺寸加包黑色醋酸膠布.
2. ELECTRICAL TEST:
1). 100% OPEN&SHORT WITH MISS WIRE TEST
2). TEST CODITION:
a). CONDUCTIVE RESISTANCE: 5 ohm Max;
b). SHORT OPEN DETERMINANT: 20K ohm;
c). INSULATION RESISTANCE: 20M ohm(Min) AT DC 200V.

21	OVER MOLD:PVC 30P BLACK(RoHS)	4.5g
20	INNER MOLD:LOW DENSITY PE PLASTIC(RoHS)	5.6g
19	線上條碼標籤:55*36mm白底黑字 珠光膜(RoHS)	1PCS
18	CONDUCTIVE FABRIC:GRAY DOUBLE FACE CONDUCTIVE W=12mm L=160±2mm(RoHS)	1PCS
17	CONDUCTIVE FABRIC:GRAY DOUBLE FACE CONDUCTIVE W=22mm L=143±2mm(RoHS) (D)	1PCS
16	CONDUCTIVE FABRIC:GRAY DOUBLE FACE CONDUCTIVE W=20mm L=240±2mm(RoHS)	1PCS
15	CONDUCTIVE FABRIC:GRAY DOUBLE FACE CONDUCTIVE W=22mm L=253±2mm(RoHS) (D)	1PCS
14	OVER MOLD:PVC 35P BLACK(RoHS)	7.3g
13	SATA 7P/F LATCH MATERIAL SUS#301 (RoHS)	2PCS
12	TER:JST PH:2.5mm BRASS TIN-PLATED(RoHS)	4PCS
11	HSG:JST XH2.5mm 1*4P Nylon66 WHITE(RoHS)	1PCS
10	SATA 7+15P/F CRIMP TYPE CONTACT:磷青銅鍍金3u", PLASTIC:LCP BLACK, W/O SCREW HOLE(RoHS) (D)	1PCS
9	SATA 7+6P/F CRIMP TYPE CONTACT:磷青銅鍍金3u", PLASTIC:LCP BLACK(RoHS) (D)	1PCS
8	SATA 7P/F CONTACT:磷青銅/G/F, PLASTIC:PBT BLACK, WITH LATCH, CRIMP TYPE(RoHS)	2PCS
7	HOOK-UP WIRE:UL1007 24AWG PVC INSULATION OD:1.45 BLACK L=198±2mm(RoHS)	1PCS
6	HOOK-UP WIRE:UL1007 24AWG PVC INSULATION OD:1.45 RED L=198±2mm(RoHS)	1PCS
5	HOOK-UP WIRE:UL1007 24AWG PVC INSULATION OD:1.45 YELLOW L=275±2mm(RoHS)	1PCS
4	HOOK-UP WIRE:UL1007 24AWG PVC INSULATION OD:1.45 BLACK L=275±2mm(RoHS)	2PCS
3	HOOK-UP WIRE:UL1007 24AWG PVC INSULATION OD:1.45 RED L=275±2mm(RoHS)	1PCS
2	UL21149 (26AWG*1P+AL/MY)*2F+28AWG*3D+BLUE(2945C)PVC JCAKET OD:2.2*7.8mm L=174±2mm (RoHS) (D)	1PCS
1	UL21149 (26AWG*1P+AL/MY)*2F+28AWG*3D+YELLOW(810C) PVC JCAKET OD:2.2*7.8mm L=285±2mm (RoHS) (D)	1PCS
ITEM	DESCRIPTION	QTY

未标示公差尺寸值 公制单位 ±0.15 .0±0.10 .00±0.05 .000±0.03 ANG.±2° ANG.0=±0.5°	原始设计者 / 日期:	EBE TECHNOLOGY (HK) LIMITED			
	单位 (UNITS) mm 视角	品名 (NAME): SATA 7P/F 90*2 TO SATA 7+15P/F,SATA 7+6P/F+JST XH2.5 4P HSG並打CABLE L=255/260+145/180mm			
材料 (M'L)	核准 (APP'D)	料号 (PART NUMBER)		图号 (DRAW)	
品质标记 特殊特性= <input checked="" type="checkbox"/> 重点检验= ▼	校对 (CHECK)	客户料号 (Customer Part No.)		比例 (SCALE)	FULL 图纸 (SIZE)
绘图 (DRAW)	hubery	A4	页次 (PAGE) 1/1	版次 (REV.)	X0